



# Installation Instructions

## Jeep Wrangler 4 Door (Unlimited) Side Steps

Product Number: J1002  
Application: 2007-2012 Jeep Wrangler 4 door  
2 steps per side

*Made in the U.S.A. !*

## SAFETY

### Your safety and the safety of others is very important.

- In order to help you make informed decisions about safety, we have provided installation instructions and other information.
- These instructions alert you to potential hazards that could hurt you or others.
- Please do a job safety analysis (JSA) before each task to identify potential hazards for your situation and remove/protect against them.
- You must use your own good judgment, and take your time.

**Read and understand all safety precautions and instructions before installing this product.**

ALL LIABILITY FOR INSTALLATION AND USE OF THIS PRODUCT RESTS WITH THE OWNER.

**CARELESS INSTALLATION AND OPERATION CAN RESULT IN SERIOUS INJURY OR EQUIPMENT DAMAGE.**

## Injury Hazard

### Failure to observe these instructions could lead to severe injury or death.

- Always** remove jewelry and wear eye protection.
- Always** use extreme caution when jacking up a vehicle for work. Set emergency brake and use tire blocks. Locate and use the vehicle manufacturers designated lifting points. Use jack stands.
- Always** use appropriate and adequate care in lifting components into place.
- Always** insure components will remain secure during installation and operation.
- Always** wear safety glasses when installing this kit. A drilling operation will cause flying metal chips. Flying chips can cause serious eye injury.
- Always** use extreme caution when drilling on a vehicle. Thoroughly inspect the area to be drilled (on both sides of material) prior to drilling, and relocate any objects that may be damaged.
- Always** use extreme caution when cutting and trimming during fitting.
- Always** tighten all nuts and bolts securely per installation instructions.
- Always** route electrical cables carefully. Avoid moving parts, components that become hot and rough or sharp edges.
- Always** insulate and protect all exposed wiring and electrical terminals.
- Always** perform regular inspections and maintenance on mounts and related hardware.



# Installation Instructions

## Jeep Wrangler 4 Door (Unlimited) Side Steps

Product Number: J1002  
Application: 2007-2012 Jeep Wrangler 4 door  
2 steps per side

**PATENT NOTE:** There is one or more patent pending that covers this vehicle step assembly. Making or selling reproductions of the vehicle step assembly without prior written permission from Fab Fours Inc. is prohibited, except as allowed under the U.S. patent laws.

### I. Overview

Congratulations on your new purchase of the industries' best and most stylish Side Step available for the 2007-2012 Jeep Wrangler Unlimited! These Side Steps have been **engineered** for strength.

Your Side Steps are designed in 3-D from digitized data, CNC laser cut, fabricated, and powder coated... all in the U.S.A.

Enjoy the fit and finish of quality Side Steps from FabFours Inc.



# Installation Instructions





## Jeep Wrangler 4 Door (Unlimited) Side Steps

Product Number: J1002  
Application: 2007-2012 Jeep Wrangler 4 door  
2 steps per side

### II. Tools Required

- Socket Wrench with 6” Extension
- 7/16” socket
- 7/16” combination wrench
- Rubber mallet
- Torque wrench

### III. Kit Contents

	QTY	DESCRIPTION	FAB FOURS PART NUMBER
	x 1	Passenger-side Side Step	20395
	x 1	Driver-side Side Step	20394
	x 1	J1002 Hardware Kit	J1002-HW
	x 1	J1002 Instruction Manual	J1002-IM



**Installation Instructions**  
**Jeep Wrangler 4 Door (Unlimited) Side Steps**  
Product Number: J1002  
Application: 2007-2012 Jeep Wrangler 4 door  
2 steps per side

**IV. Included Hardware**

J1002-HW

**No Hardware needed.**

Note: this step uses factory hardware.



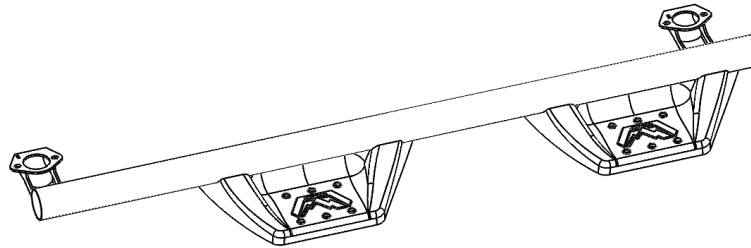
# Installation Instructions

## Jeep Wrangler 4 Door (Unlimited) Side Steps

Product Number: J1002  
Application: 2007-2012 Jeep Wrangler 4 door  
2 steps per side

### V. Installation of FabFours Side Steps

1. Identify the driver side FabFours Side Step. The driver side FabFours Side Step is shown below:



**Figure 1 - DRIVER SIDE FABFOURS SIDE STEP**

2. From underneath the driver side of the vehicle. Remove the three body bolts and large washers from the inside the three body mount frame buckets. Remove the remaining six body mount bolts and set all hardware aside as they will be reinstalled later. **NOTE:** the step is designed to bolt to the inside of the body mount bucket and around the rubber body mount.



# Installation Instructions

## Jeep Wrangler 4 Door (Unlimited) Side Steps

Product Number: J1002  
Application: 2007-2012 Jeep Wrangler 4 door  
2 steps per side

3. As the bolt passes through the bracket flange, install the factory nut on the back side. **Do not tighten!**

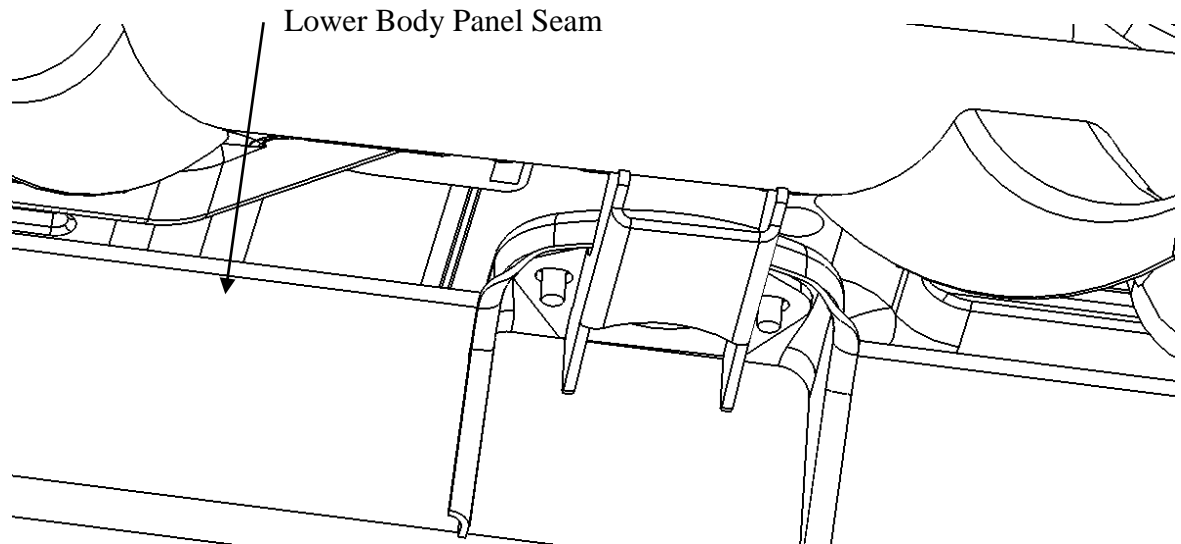


Figure 2 - INSTALLING THE FIRST BOLT

4. Repeat step three for the remaining five body mount bolts. **Do not tighten!**
5. Once all fasteners have been loosely threaded into position, the step can be adjusted front or back as needed to best match your vehicle installation requirements.
6. With all hardware in place, the fasteners can be tightened.
7. Re-install the three body bolts and large washer.
8. Torque all hardware to factory spec.

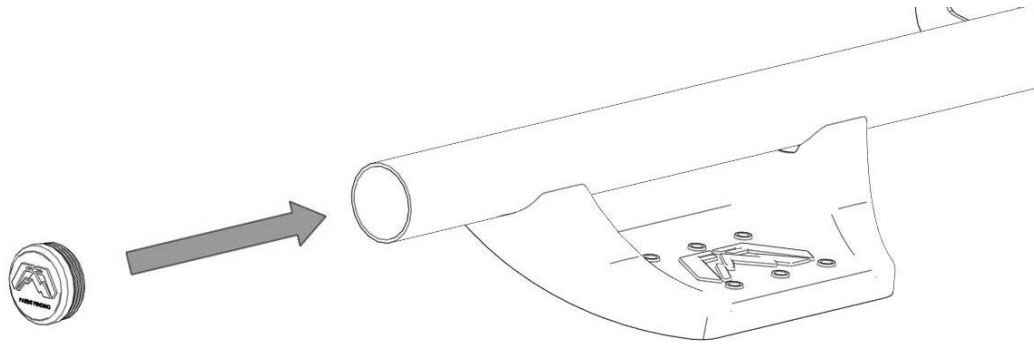


# Installation Instructions

## Jeep Wrangler 4 Door (Unlimited) Side Steps

Product Number: J1002  
Application: 2007-2012 Jeep Wrangler 4 door  
2 steps per side

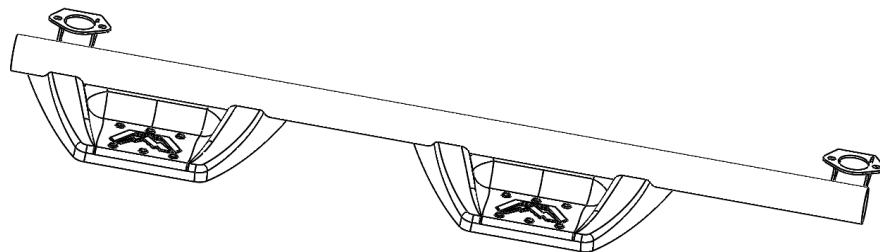
9. Install End Caps (61367) on your driver side FabFours Side Step with the logo level to the ground. If needed, a rubber mallet can be used to fully seat the end caps into the FabFours Side Step tube as shown in Figure 4.



**Figure 6 - INSTALLING THE FABFOURS SIDE STEP END CAPS**

10. Congratulations, your new FabFours Side Step has been installed successfully on the driver side of your vehicle!

11. Identify the passenger side FabFours Side Step. The passenger side FabFours Side Step is shown below:



**Figure 7 - PASSENGER SIDE FABFOURS SIDE STEP**

12. Repeat the steps above to install the passenger side FabFours Side Step.

13. Congratulations, your new FabFours Side Step has been installed successfully on the passenger side of your vehicle!



# Installation Instructions

## Jeep Wrangler 4 Door (Unlimited) Side Steps

Product Number: J1002  
Application: 2007-2012 Jeep Wrangler 4 door  
2 steps per side

### VI. Maintenance/Care

- Periodically check and tighten all fasteners.
- Stripped, fractured, or bent bolts or nuts need to be replaced.
- After washing of the vehicle make sure to fully dry all surfaces

### VII. Contact Information

FabFours Inc.  
1312 Camp Creek Rd  
Lancaster, SC 29720

Phone (866)-385-1905  
Fax (866)-574-1424  
Email [Support@fabfours.com](mailto:Support@fabfours.com)



**More than expected... Better than expected**

*Made in the U.S.A. !*