



Made in the U.S.A.!

Installation Instructions

Toyota FJ Side Steps
Product Number: J1004
Application: 2007-2012 Toyota FJ
2 steps per side

SAFETY

Your safety and the safety of others is very important.

- In order to help you make informed decisions about safety, we have provided installation instructions and other information.
- These instructions alert you to potential hazards that could hurt you or others.
- Please do a job safety analysis (JSA) before each task to identify potential hazards for your situation and remove/protect against them.
- You must use your own good judgment, and take your time.
- **Read and understand all safety precautions and instructions before installing this product.**
- ALL LIABILITY FOR INSTALLATION AND USE OF THIS PRODUCT RESTS WITH THE OWNER.
- **CARELESS INSTALLATION AND OPERATION CAN RESULT IN SERIOUS INJURY OR EQUIPMENT DAMAGE.**

Injury Hazard

Failure to observe these instructions could lead to severe injury or death.

- Always remove jewelry and wear eye protection.
- Always use extreme caution when jacking up a vehicle for work. Set emergency brake and use tire blocks. Locate and use the vehicle manufacturers designated lifting points. Use jack stands.
- Always use appropriate and adequate care in lifting components into place.
- Always insure components will remain secure during installation and operation.
- Always wear safety glasses when installing this kit.
- Always use extreme caution when drilling on a vehicle. Thoroughly inspect the area to be drilled (on both sides of material) prior to drilling, and relocate any objects that may be damaged.
- Always use extreme caution when cutting and trimming during fitting.
- Always tighten all nuts and bolts securely per the installation instructions.
- Always route electrical cables carefully. Avoid moving parts, components that become hot and rough or sharp edges.
- Always insulate and protect all exposed wiring and electrical terminals.
- Always perform regular inspection and maintenance on mounts and related hardware.

Operating Safety

- NEVER stand on the steps while the vehicle is in motion.
- Clean mud and debris off of steps prior to using in order to prevent slipping.

Patent Notes:

1. There is one or more patent pending that covers this vehicle step assembly. Making or selling reproductions of the vehicle step assembly without prior written permission from Fab Fours Inc. is prohibited, except as allowed under the U.S. patent laws.
2. These steps are licensed by Fichter Designs under one or more of U.S. Patent numbers 6,588,783; 6,874,801; 7,416,202; and 7,717,444.

I. Overview

- Congratulations on your new purchase of the industries' best and most stylish Side Step available for the **Toyota FJ**! These Side Steps have been engineered for strength.
- Your Side Steps are designed in 3-D from digitized data, CNC laser cut, fabricated, and powder coated... all in the U.S.A.!
- The Patent Pending individual steps themselves are formed from a single piece of 13 gauge sheet steel. Forming is done through a seven step process prior to the step being welded to the tube...all in the U.S.A.!
- Enjoy the fit and finish of quality Side Steps from Fab Fours Inc.

II. Tools Required

Socket Wrench with 6" Extension, 13mm socket and a Rubber mallet

III. Kit Contents

QTY	DESCRIPTION	FAB FOURS PART NUMBER
x 1	Driver-side Side Step	20450
x 1	Passenger-side Side Step	20451
x 4	End Cap	61367
x 1	J1004 Hardware Kit	J1004-HW
x 1	J1004 Toyota FJ Side Steps Instruction Manual	J1004-IM

IV. Included Hardware



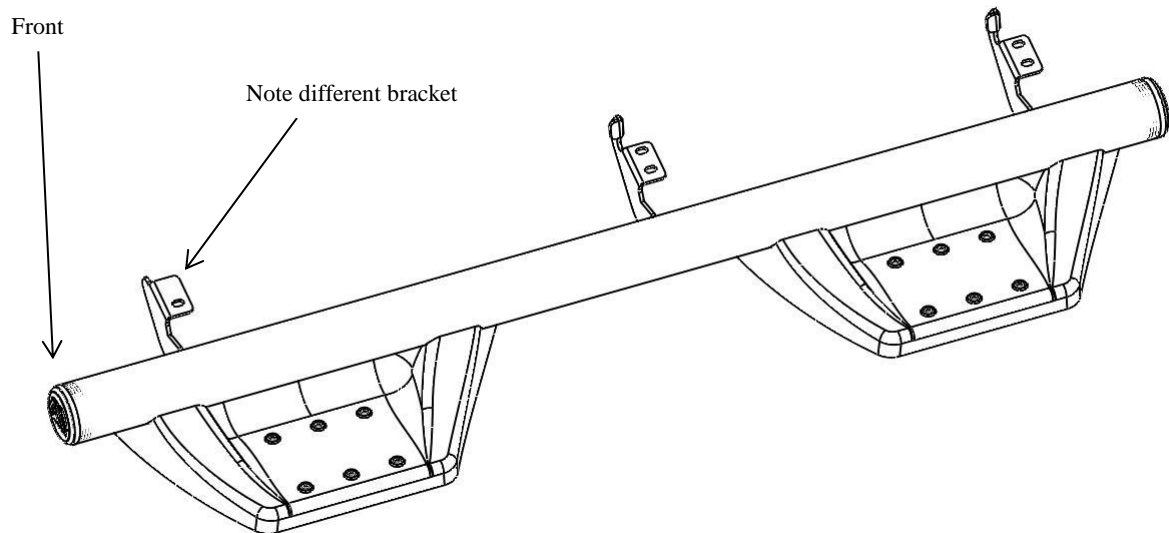
V. Removal of OEM Side Steps (if applicable)

1. From underneath the driver side of the vehicle, remove the OEM side steps using a socket wrench with a 13mm socket. Use a 6" extension if required.
 - a) The OEM steps are mounted using three (3) brackets on each side step.
 - b) The M8 fasteners go through each bracket to secure the step to the vehicle, and will be removed with a 13mm socket.
2. Support one end of the tube prior to removing all the fasteners on that end. Work your way down the step and remove the remaining fasteners
3. With all of the OEM bolts removed, the OEM side step can be removed from the vehicle and set aside.
4. Repeat steps 1) thru 4) above to remove the passenger side OEM side step.

NOTE: The FabFours Side Steps are shipped with a hardware kit that includes all required hardware to install your new FabFours Side Steps. OEM fasteners can be set aside for use if desired/required, but are not needed for regular installation of FabFours Side Steps.
5. After both OEM side steps are removed, the vehicle is ready to install your new Fab Fours Side Steps.

VI. Installation of Fab Fours Side Steps

1. Identify the driver side Fab Fours Side Step as shown below:



2. From underneath the driver side of the vehicle, lift the FabFours Side Step to a position where the M8 bolts and washers can be installed. **Do not tighten!** With the step in place make any adjustment front to rear, and then proceed to tighten the all the bolts.

3. Hand rotate the end caps to position the logo as desired.

4. Congratulations, your new Fab Fours Side Step has been installed successfully on the driver side of your vehicle!

5. Repeat the above steps to install the passenger side FabFours Side Step.

Congratulations, your new Fab Fours Side Steps has been installed successfully on the passenger side of your vehicle!